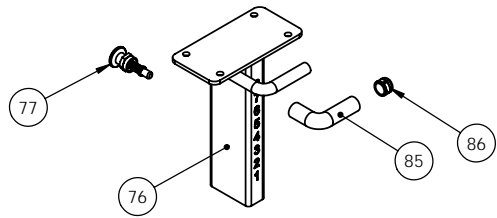


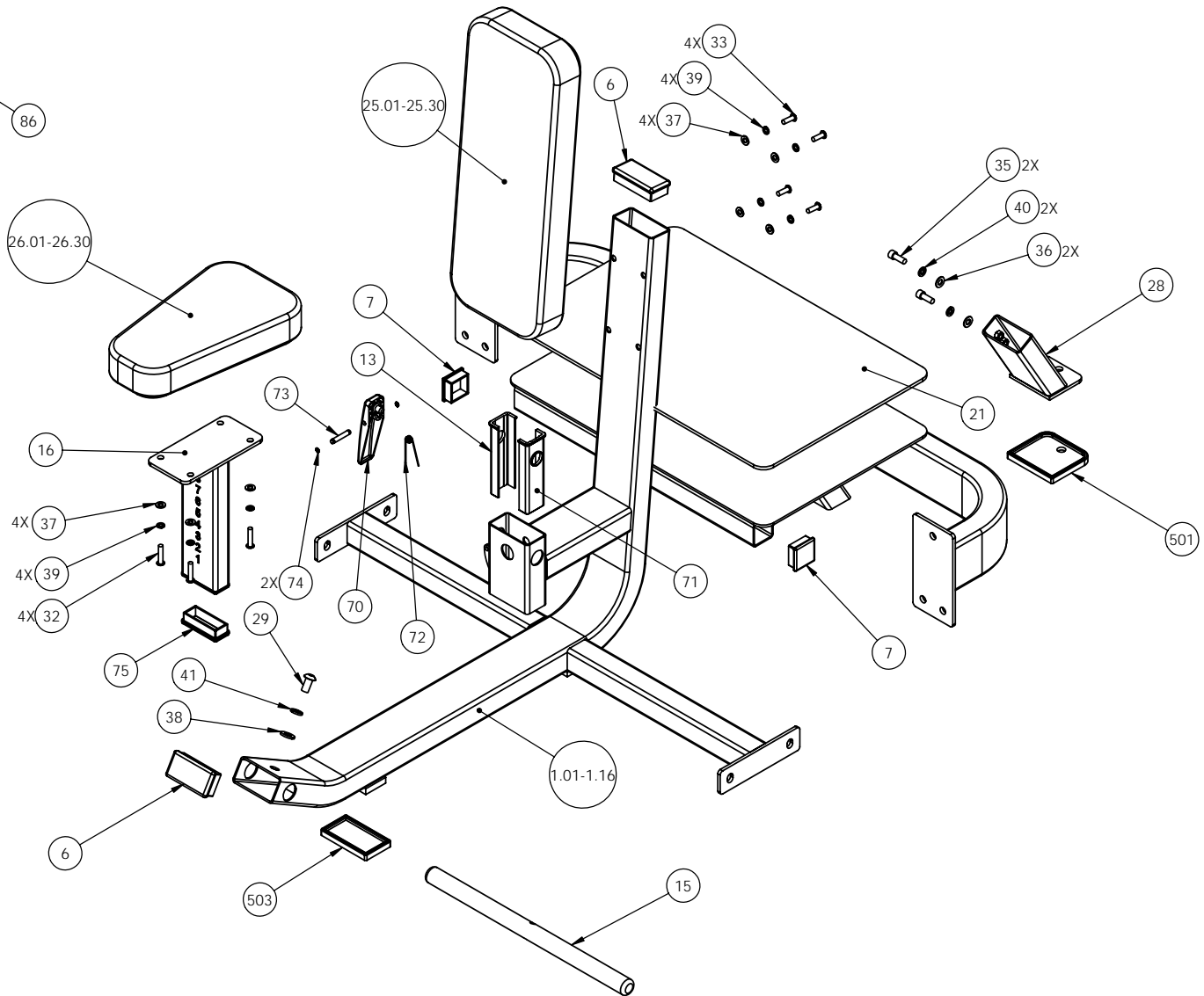
SEAT FRAME/PADS,
SHEET 2

RIGHT/LEFT FRAMES,
SHEET 3

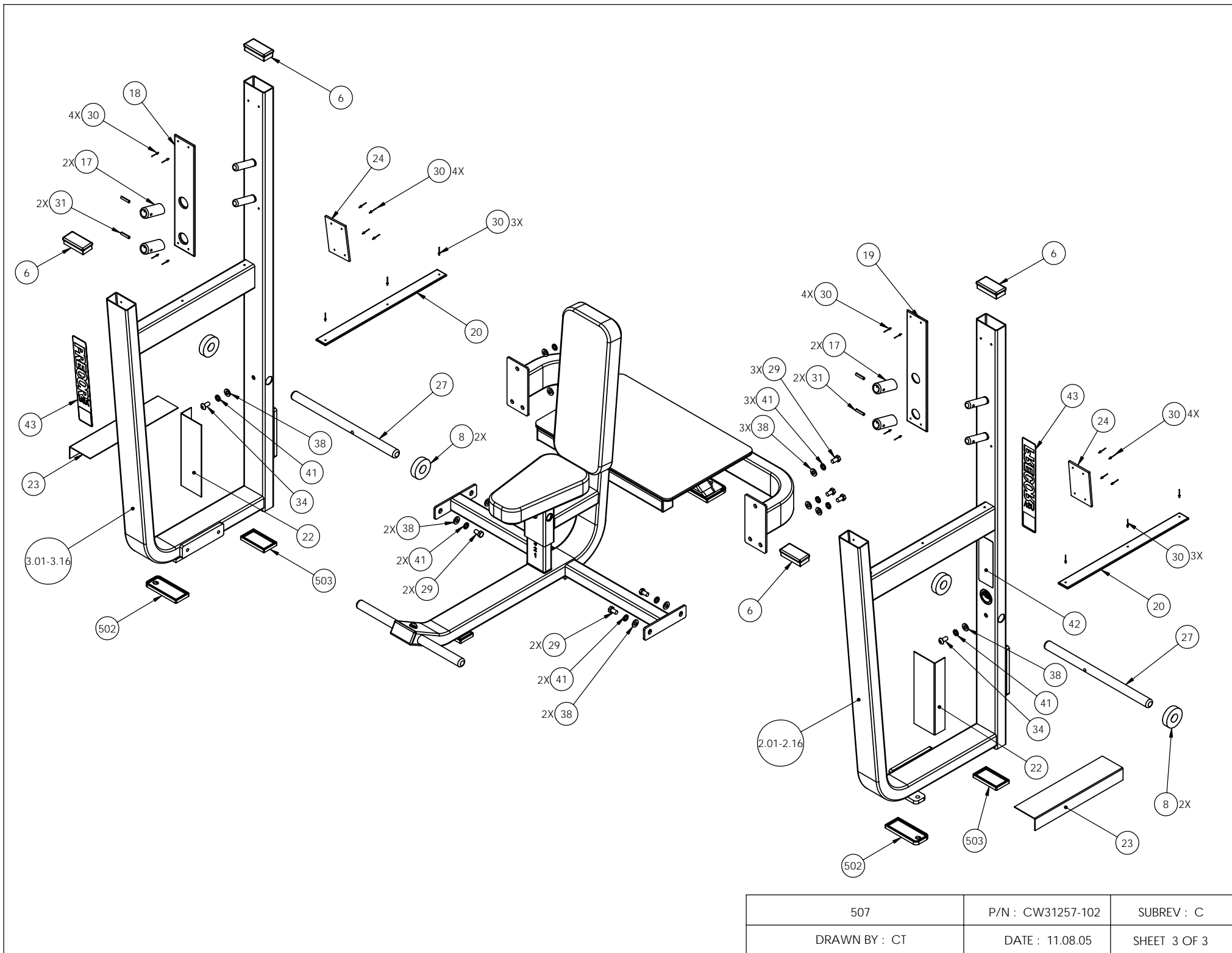
| | | |
|---------------|-------------------|--------------|
| 507 | P/N : CW31257-102 | SUBREV : C |
| DRAWN BY : CT | DATE : 11.08.05 | SHEET 1 OF 3 |



SEAT SUPPORT PRIOR
TO 6/23/2005



| | | |
|---------------|-------------------|--------------|
| 507 | P/N : CW31257-102 | SUBREV : C |
| DRAWN BY : CT | DATE : 11.08.05 | SHEET 2 OF 3 |



| | | |
|---------------|-------------------|--------------|
| 507 | P/N : CW31257-102 | SUBREV : C |
| DRAWN BY : CT | DATE : 11.08.05 | SHEET 3 OF 3 |

507 Olympic Seated Bench

| Part Number | Description | Bubble Number |
|---------------|----------------------------------|---------------|
| CW507SA1-211 | ASSY,FRAME,MAIN,507,SKY WHITE | 1.01 |
| CW507SA1-212 | ASSY,FRAME,MAIN,507,SKY WHITE | 1.01 |
| CW507SA1-221 | ASSY,FRAME,MAIN,507,BLACK | 1.02 |
| CW507SA1-231 | ASSY,FRAME,MAIN,507,RED | 1.03 |
| CW507SA1-241 | ASSY,FRAME,MAIN,507,PLAT SPRKLE | 1.04 |
| CW507SA1-251 | ASSY,FRAME,MAIN,507,SILVER | 1.05 |
| CW507SA1-261 | ASSY,FRAME,MAIN,507,BLUE | 1.06 |
| CW507SA1-271 | ASSY,FRAME,MAIN,507,CHARCOAL | 1.07 |
| CW507SA1-281 | ASSY,FRAME,MAIN,507,CATH GRAY | 1.08 |
| CW507SA1-291 | ASSY,FRAME,MAIN,507,SILVER VIEN | 1.09 |
| CW507SA1-312 | ASSY,FRAME,MAIN,507,STONE HG | 1.11 |
| CW507SA1-321 | ASSY,FRAME,MAIN,507,TITANIUM HG | 1.12 |
| CW507SA1-322 | ASSY,FRAME,MAIN,507,TITANIUM HG | 1.12 |
| CW507SA1-331 | ASSY,FRAME,MAIN,507,WHITE GLOSS | 1.13 |
| CW507SA1-341 | ASSY,FRAME,MAIN,507,BLACK ONYX | 1.14 |
| CW507SA1-351 | ASSY,FRAME,MAIN,507,LT. BRONZE | 1.15 |
| CW507SA1-361 | ASSY,FRAME,MAIN,507,SAPPHIRE BL | 1.16 |
| CW507SA2L-211 | ASSY,FRAME,LEFT,507,SKY WHITE | 2.01 |
| CW507SA2L-221 | ASSY,FRAME,LEFT,507,BLACK | 2.02 |
| CW507SA2L-231 | ASSY,FRAME,LEFT,507,RED | 2.03 |
| CW507SA2L-241 | ASSY,FRAME,LEFT,507,PLAT SPRKLE | 2.04 |
| CW507SA2L-251 | ASSY,FRAME,LEFT,507,SILVER | 2.05 |
| CW507SA2L-261 | ASSY,FRAME,LEFT,507,BLUE | 2.06 |
| CW507SA2L-271 | ASSY,FRAME,LEFT,507,CHARCOAL | 2.07 |
| CW507SA2L-281 | ASSY,FRAME,LEFT,507,CATH GRAY | 2.08 |
| CW507SA2L-291 | ASSY,FRAME,LEFT,507,SILVER VIEN | 2.09 |
| CW507SA2L-311 | ASSY,FRAME,LEFT,507,STONE HG | 2.11 |
| CW507SA2L-321 | ASSY,FRAME,LEFT,507,TITANIUM HG | 2.12 |
| CW507SA2L-331 | ASSY,FRAME,LEFT,507,WHITE GLOSS | 2.13 |
| CW507SA2L-341 | ASSY,FRAME,LEFT,507,BLACK ONYX | 2.14 |
| CW507SA2L-351 | ASSY,FRAME,LEFT,507,LT. BRONZE | 2.15 |
| CW507SA2L-361 | ASSY,FRAME,LEFT,507,SAPPHIRE BL | 2.16 |
| CW507SA2R-211 | ASSY,FRAME,RIGHT,507,SKY WHITE | 3.01 |
| CW507SA2R-221 | ASSY,FRAME,RIGHT,507,BLACK | 3.02 |
| CW507SA2R-231 | ASSY,FRAME,RIGHT,507,RED | 3.03 |
| CW507SA2R-241 | ASSY,FRAME,RIGHT,507,PLAT SPRKLE | 3.04 |
| CW507SA2R-251 | ASSY,FRAME,RIGHT,507,SILVER | 3.05 |
| CW507SA2R-261 | ASSY,FRAME,RIGHT,507,BLUE | 3.06 |
| CW507SA2R-271 | ASSY,FRAME,RIGHT,507,CHARCOAL | 3.07 |
| CW507SA2R-281 | ASSY,FRAME,RIGHT,507,CATH GRAY | 3.08 |
| CW507SA2R-291 | ASSY,FRAME,RIGHT,507,SILVER VIEN | 3.09 |
| CW507SA2R-311 | ASSY,FRAME,RIGHT,507,STONE HG | 3.11 |
| CW507SA2R-321 | ASSY,FRAME,RIGHT,507,TITANIUM HG | 3.12 |
| CW507SA2R-331 | ASSY,FRAME,RIGHT,507,WHITE GLOSS | 3.13 |
| CW507SA2R-341 | ASSY,FRAME,RIGHT,507,BLACK ONYX | 3.14 |
| CW507SA2R-351 | ASSY,FRAME,RIGHT,507,LT. BRONZE | 3.15 |
| CW507SA2R-361 | ASSY,FRAME,RIGHT,507,SAPPHIRE BL | 3.16 |
| CWAC1002-101 | LABEL, "ICARIAN", 3 X 16 3/8 | 4 |

| | | |
|---------------|-------------------------------------|-------|
| CW11311-102 | ENDCAP, REC TUBE, 2X4, BLK PLASTIC | 6 |
| CW11311-103 | ENDCAP, REC TUBE, 2X2, BLK PLASTIC | 7 |
| CW12402-101 | BUMPER, ID 1.050, BLK RUBBER | 8 |
| CW34822-101 | LABEL, "ASSEMBLED IN THE USA" | 9 |
| CWAC1161-101 | LABEL, ROUND, "MADE IN USA" | 9 |
| CWAC1183-101 | LABEL, WARNING, SERIOUS INJURY | 11 |
| CW33626-901 | GUIDE, THIN, TELESCOPING TUBE | 13 |
| CWPF1419-711 | BAR, STEEL RND, CHM,DIA 1 1/4" X (2 | 15 |
| CW32535-711 | ASSEMBLY, SEAT ADJUSTMENT, 8 HOLE, | 16 |
| CWCP1012-101 | CUT PIECE, UHMW, 1 1/2 OD X 1 ID X | 17 |
| CWCP1013-102 | CUT PIECE, UHMW, 1/4 X 3 7/8 X 18 | 18 |
| CWCP1013-101 | CUT PIECE, UHMW, 1/4 X 3 7/8 X 18 | 19 |
| CWCP1019-101 | CUT PIECE,UHMW,1/4 X 1 7/8 X 23 1/2 | 20 |
| CWCP1079-101 | SHIELD ABS ANGLE 2X4X12 | 22 |
| CWCP1080-101 | SHIELD ABS ANGLE 2X4X17 | 23 |
| CWCP1139-101 | CUT PIECE, UHMW, 1/4 X 3 7/8 X 6, 4 | 24 |
| CWPD1104B-101 | PAD,9X24,4HOLES,W/BP,BLACK | 25.01 |
| CWPD1104B-102 | PAD,9X24,4HOLES,W/BP,RYL BL | 25.02 |
| CWPD1104B-103 | PAD,9X24,4HOLES,W/BP,DVE GRY | 25.03 |
| CWPD1104B-104 | PAD,9X24,4HOLES,W/BP,CROCUS | 25.04 |
| CWPD1104B-105 | PAD,9X24,4HOLES,W/BP,GROTTO | 25.05 |
| CWPD1104B-106 | PAD,9X24,4HOLES,W/BP,GRAPHITE | 25.06 |
| CWPD1104B-107 | PAD,9X24,4HOLES,W/BP,RED | 25.07 |
| CWPD1104B-108 | PAD,9X24,4HOLES,W/BP,CHN GRN | 25.08 |
| CWPD1104B-109 | PAD,9X24,4HOLES,W/BP,TURQSE | 25.09 |
| CWPD1104B-110 | PAD,9X24,4HOLES,W/BP,RASP | 25.1 |
| CWPD1104B-111 | PAD,9X24,4HOLES,W/BP,PLUM | 25.11 |
| CWPD1104B-112 | PAD,9X24,4HOLES,W/BP,REGIMENT | 25.12 |
| CWPD1104B-113 | PAD,9X24,4HOLES,W/BP,SPC BLUE | 25.13 |
| CWPD1104B-115 | PAD,9X24,4HOLES,W/BP,BLK LTHR | 25.15 |
| CWPD1104B-116 | PAD,9X24,4HOLES,W/BP,NVBL LTH | 25.16 |
| CWPD1104B-117 | PAD,9X24,4HOLES,W/BP,PUTTY | 25.17 |
| CWPD1104B-118 | PAD,9X24,4HOLES,W/BP,IMPRL BLUE | 25.18 |
| CWPD1104B-119 | PAD,9X24,4HOLES,W/BP,YEW GREEN | 25.19 |
| CWPD1104B-120 | PAD,9X24,4HOLES,W/BP,DUSTY JADE | 25.2 |
| CWPD1104B-121 | PAD,9X24,4HOLES,W/BP,TERRA COTTA | 25.21 |
| CWPD1104B-122 | PAD,9X24,4HOLES,W/BP,PAPRIKA | 25.22 |
| CWPD1104B-123 | PAD,9X24,4HOLES,W/BP,ASH LTHR | 25.23 |
| CWPD1104B-124 | PAD,9X24,4HOLES,W/BP,CERULEAN LTHR | 25.24 |
| CWPD1104B-125 | PAD,9X24,4HOLES,W/BP,CHARCOAL LTHR | 25.25 |
| CWPD1104B-126 | PAD,9X24,4HOLES,W/BP,HUNTER LTHR | 25.26 |
| CWPD1104B-127 | PAD,9X24,4HOLES,W/BP,MOSS LTHR | 25.27 |
| CWPD1104B-128 | PAD,9X24,4HOLES,W/BP,SPICE LTHR | 25.28 |
| CWPD1104B-129 | PAD,9X24,4HOLES,W/BP,TOMATO LTHR | 25.29 |
| CWPD1207A-101 | PAD,5X9X14.5,4HOLES,BLACK | 26.01 |
| CWPD1207A-102 | PAD,5X9X14.5,4HOLES,RYL BL | 26.02 |
| CWPD1207A-103 | PAD,5X9X14.5,4HOLES,DVE GRY | 26.03 |
| CWPD1207A-104 | PAD,5X9X14.5,4HOLES,CROCUS | 26.04 |
| CWPD1207A-105 | PAD,5X9X14.5,4HOLES,GROTTO | 26.05 |
| CWPD1207A-106 | PAD,5X9X14.5,4HOLES,,GRAPHITE | 26.06 |
| CWPD1207A-107 | PAD,5X9X14.5,4HOLES,RED | 26.07 |
| CWPD1207A-108 | PAD,5X9X14.5,4HOLES,CHN GRN | 26.08 |

| | | |
|----------------|-------------------------------------|-------|
| CWPD1207A-109 | PAD,5X9X14.5,4HOLES,TURQSE | 26.09 |
| CWPD1207A-110 | PAD,5X9X14.5,4HOLES,RASP | 26.1 |
| CWPD1207A-111 | PAD,5X9X14.5,4HOLES,PLUM | 26.11 |
| CWPD1207A-112 | PAD,5X9X14.5,4HOLES,REGIMENT | 26.12 |
| CWPD1207A-113 | PAD,5X9X14.5,4HOLES,SPC BLUE | 26.13 |
| CWPD1207A-115 | PAD,5X9X14.5,4HOLES,BLK LTHR | 26.15 |
| CWPD1207A-116 | PAD,5X9X14.5,4HOLES,NVBL LTH | 26.16 |
| CWPD1207A-117 | PAD,5X9X14.5,4HOLES,PUTTY | 26.17 |
| CWPD1207A-118 | PAD,5X9X14.5,4HOLES,IMPRL BL | 26.18 |
| CWPD1207A-119 | PAD,5X9X14.5,4HOLES,YEW GRN | 26.19 |
| CWPD1207A-120 | PAD,5X9X14.5,4HOLES,DSTY JD | 26.2 |
| CWPD1207A-121 | PAD,5X9X14.5,4HOLES,TER COT | 26.21 |
| CWPD1207A-122 | PAD,5X9X14.5,4HOLES,PAPRIKA | 26.22 |
| CWPD1207A-123 | PAD,5X9X14.5,4HLS,ASH LTHR | 26.23 |
| CWPD1207A-124 | PAD,5X9X14.5,4HLS,CERULAN LTHR | 26.24 |
| CWPD1207A-125 | PAD,5X9X14.5,4HLS,CHARCOAL LTHR | 26.25 |
| CWPD1207A-126 | PAD,5X9X14.5,4HLS,HUNTER LTHR | 26.26 |
| CWPD1207A-127 | PAD,5X9X14.5,4HLS,MOSS LTHR | 26.27 |
| CWPD1207A-128 | PAD,5X9X14.5,4HLS,SPICE LTHR | 26.28 |
| CWPD1207A-129 | PAD,5X9X14.5,4HLS,TOMATO LTH | 26.29 |
| CWPF1421-741 | BAR,STEEL RND, DIA 1 1/4" X (20), 1 | 27 |
| CWSA2033-731 | ASSY, ADJ, LEVELING FOOT,30 DEGREE, | 28 |
| CWSA2033-732 | ASSY, ADJ. LEVELING FOOT, 30 DEG, B | 28 |
| CWHCYN050-100 | SCREW,HEX HEAD,BLK XYLAN,1/2-13 X 1 | 29 |
| CW10175-108 | RIVIT, DIA .187, .376-.500 GRIP RAN | 30 |
| CWLDNN031-150 | SLOTTED PIN SPRING, DIA. 5/16 X 1 1 | 31 |
| CWTAYN031-150 | SCREW, BUTTON HEAD, BLK XYLAN, 5/16 | 32 |
| CWTAYN031-300 | SCREW, BUTTON HEAD, BLK XYLAN, 5/16 | 33 |
| CWTAYN050-100 | SCREW, BUTTON HEAD, BLK XYLAN, 1/2 | 34 |
| CWCAYN038-100 | SCREW, SOCKET HEAD, BLK XYLAN, 3/8 | 35 |
| CWWBKN038-007 | WASHER, FLAT, TYPE A, SAE, 3/8 ID | 36 |
| CWWBKN031-007 | WASHER, FLAT, TYPE A, SAE, 5/16 ID | 37 |
| CWWBKN050-010 | WASHER, FLAT, TYPE A, SAE, 1/2 ID X | 38 |
| CWWALYN031-008 | WASHER, SPLIT, 5/16 ID, BL | 39 |
| CWWALYN038-009 | WASHER, SPLIT, 3/8 ID, BLK XYLAN | 40 |
| CWWALYN050-013 | WASHER, SPLIT, 1/2 ID, BLK XYLAN | 41 |
| CW31756-101 | LABEL, PRECOR USA ICARIAN LINE | 43 |
| CW32460-221 | ASSY, RATCHETING LEVER, BLACK | 70 |
| CW33626-902 | GUIDE, THCK, TELESCOPING TUBE | 71 |
| CW12634-101 | SPRING, TORSION 90 DEG X 0.484 X 0. | 72 |
| CW31770-742 | LATCH PIVOTING PIN, CLR ZN | 73 |
| CWAMNN028-003 | RING, RETAINING, 2-TURN, SPIRAL, SS | 74 |
| CW31143-711 | ASSY, SEAT ADJUSTMENT, 8 HOLE, CHM | 76 |
| CW30165-752 | ASSY, POP PIN, 0.450 DIA NOSE, BLU | 77 |
| CWGR4805-000 | GRIP, RUBBER, .75" OD HANDLE, 5.00" | 85 |
| CWAC220-901 | HANDLE END CAP W/SET SCREWS, DIA 3/ | 86 |
| CWAC1177-101 | FLOOR PROTECTOR, RUBBER, 4.563 X 4. | 501 |
| CWAC1178-101 | FLOOR PROTECTOR, RUBBER, 2.563 X 6. | 502 |
| CWAC1180-101 | FLOOR PROTECTOR, RUBBER, 2.563 X 4. | 503 |